

HPM130 Compact Pressure Transmitter



Nanjing Hangjia Electronic Technology Co.,Ltd.

Overview

HPM130 Compact Pressure Transmitter adopts international advanced technology ,ingenious structure design, with miniaturized imported transmitter and precise digital signal. It can be used in narrow confines to meet the need of development of equipment miniaturization and guarantee the high performance of the product.This product can be directly connected to computers, control instruments and display instruments with excellent performance, easy installation, fantastic anti-vibration and impact resistance. It is suitable to be used in hostile environment for a long time.

Features

- .Integrated and compact structural design
- .Reverse polarity protection and instantaneous over-current and over-voltage protection, in line with EMI protection requirements
- .Wide range, can measure gauge pressure, absolute pressure and sealing gauge pressure
- .Protection class IP65
- .Various forms and structures, simple installation, wide applicability

Technical Parameters

Measuring Medium: various liquid, gas or steam compatible with 304 or 316L stainless steel

Pressure Range: -100kPa...0~10kPa...60MPa

Overload: 1.5 times pressure range of full scale

Pressure Type: Gauge pressure, absolute pressure or sealed gauge pressure

Accuracy: $\pm 0.5\%FS$

Long-term Stability: $\pm 0.2\%FS/year$

Temperature Coefficient of Zero: $\pm 0.03\%FS/^\circ C$ (Reference $25^\circ C$)

Temperature Coefficient of Full Scale: $\pm 0.03\%FS/^\circ C$ (Reference $25^\circ C$)

Operation Temperature: $-30\sim 85^\circ C$

Storage Temperature: $-40 \sim 120^{\circ}\text{C}$

Supply Voltage: 5V, 12V, 24VDC

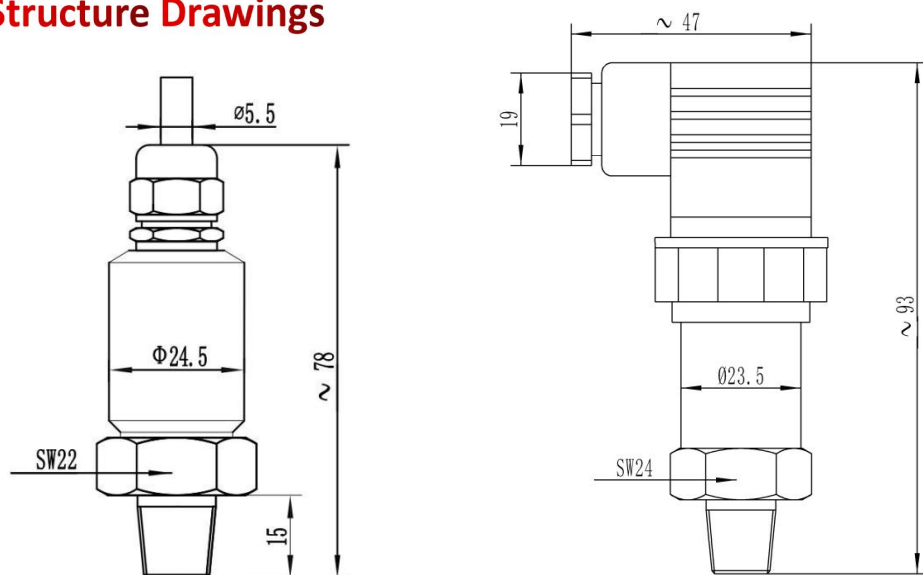
Output Signal: 4~20mA DC, 1~5VDC, 0~10VDC, 0.5~4.5VDC 等

Insulation Resistance: 100M Ω , 500VDC

Ingress Protection of Shell: IP65

Electrical Connection: DIN43650 or dedicated shield cable

Structure Drawings



Cable Outlet

Hirschman DIN43650

Electrical Connection

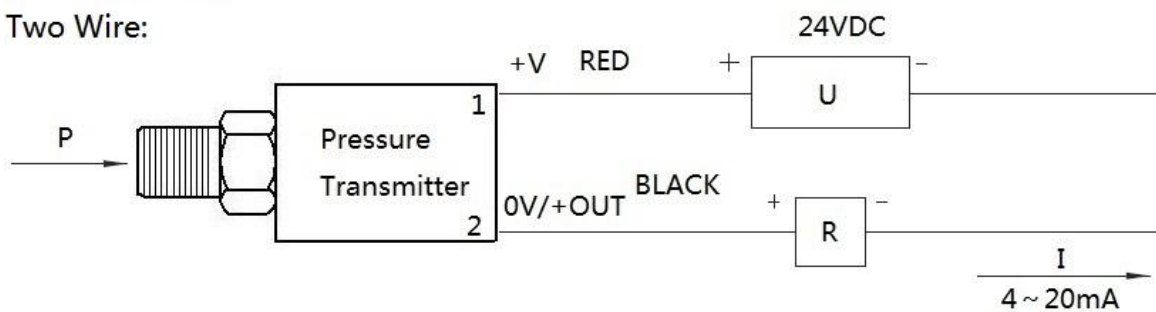
Hirschman connector wiring method:

Pin	Two Wire Current	Three Wire Voltage
1	+V	+V
2	0V/+OUT	GND
3		+OUT

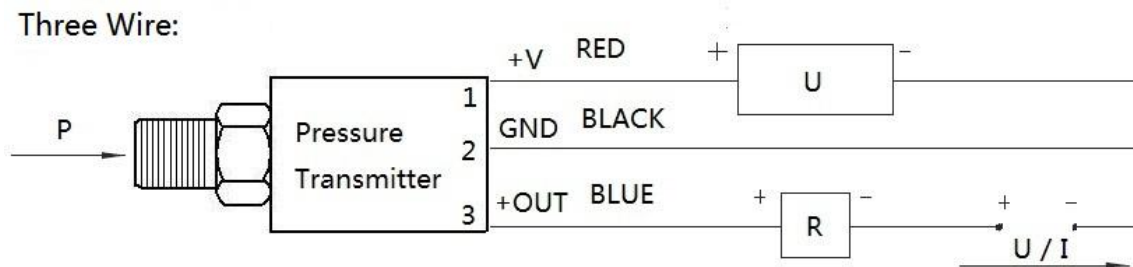
Cable type wiring method:

Wire Color	Two Wire Current	Three Wire Voltage
Red	Power (+V)	Power (+V)
Black	Power (0V/+OUT)	Common Port(GND)
Blue		Output (+OUT)

Two Wire:



Three Wire:



Ordering Guide

Item NO.	Type						
HPM130	Compact Pressure Transmitter						
	Pressure Range	Measuring Range					
	(0 ~ X)kPa	Fill out X directly					
		Code	Output Signal				
		B1	(4 ~ 20)mA				
		B3	(0 ~ 10)V				
		B5	(1 ~ 5)V				
		B6	(0.5 ~ 4.5)V				
		Code	Thread Spec				
		P3	G1/4				
		P6	R1/4				
		P8	NPT1/4				
		Code	Electrical Connection				
		C1	DIN43650				
		C2	Cable Output				
		C3	Plug in Connector				
		Code	Structure&Material				
			Diaphragm	Interface	Shell		
			M1	316L	316L	Stainless Steel	
			M2	316L	316L	316L	
			M3	Tantalum	Hastelloy	316L	
M4		Titanium	Titanium	316L			
X	Other						
Code	Additional Functions						
	G	Gauge Pressure (Default)					
	A	Absolute Pressure					
	S	Sealed Gauge Pressure					
HPM130	(0~500)kPa	B1	P3	C1	M1	G	