

## HPM289 High Temperature Pressure Transmitter



Nanjing Hangjia Electronic Technology Co.,Ltd.

## Overview

HPM289 high temperature pressure transmitter adopts high temperature resistance pressure sensor as signal measurement element, and is also processed through function compensation within wide temperature range . This product is processed through long-term and strict ageing testing and stability testing to achieve great stability and reliability. HPM289 is two-wire 4-20mADC signal output with digital screen display, which can be used in the occasion required measured pressure displayed on scene in hostile environment. It is widely used in machinery, metallurgy, petroleum, chemical and power industries to measure pressure.

## Application

Industrial automation equipment, power generation, machinery manufacturing, petrochemical, metallurgical manufacturing, steam and heat exchange and other fields.

## Features

- .imported high temperature resistant pressure sensing core
- .with heat exchanger design, the maximal temperature for measuring medium 150°C
- .aluminium alloy shell , shell ingress protection IP65
- .with polarity reversal protection , overcurrent and overvoltage protection, meet EMI protection requirements
- .screen display optionally
- .great anti-jamming , long- term stability

## Technical Parameters

Measuring Medium	Liquid, Gas, Steam
Pressure Range	-0.01...0~0.01...100MPa
Overload	1.5 times pressure range of full scale
Pressure Type	Gauge, Absolute or Sealed Gauge
Accuracy	±0.5%FS
Long-term Stability	±0.2%FS/year
Temperature Coefficient of Zero	±0.03%FS/°C (Reference 25°C)
Temperature Coefficient of Full Scale	±0.03%FS/°C (Reference 25°C)
Ambient Temp	-30~80°C
Working Temp	-30~150°C
Medium Temp	-40~120°C
Supply Voltage	24VDC (11~30V)
Output Signal	4~20mADC
Output Mode	Two-wire
Load Resistance	≤(U-11)/0.20Ω
Insulation Resistance	100MΩ, 500VDC
Ingress Protection of Shell	IP65
Electrical Connection	Cable Gland(M20*1.5)

## Structure Material

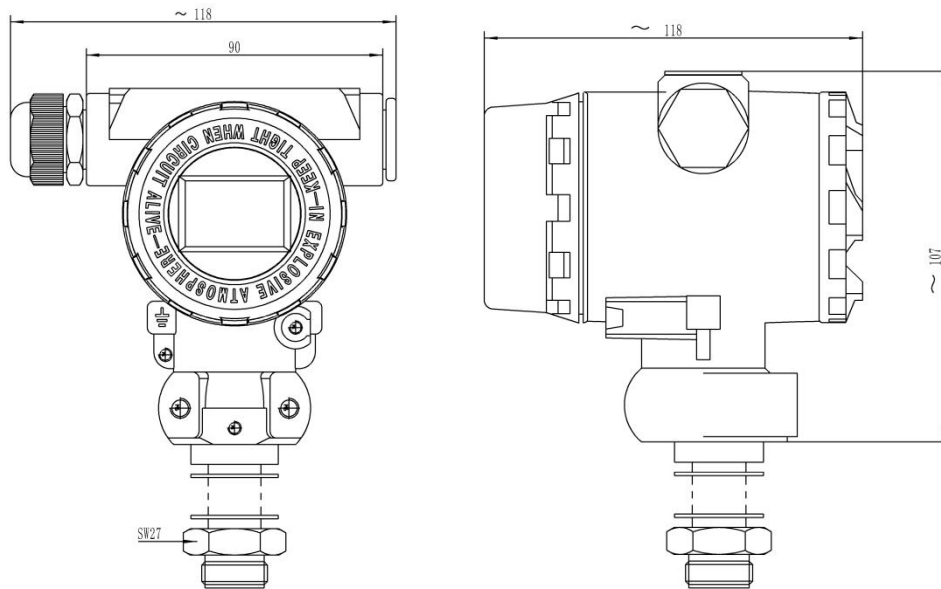
Shell: aluminum alloy

Pressure interface: stainless steel 1Cr18Ni9Ti

Diaphragm: stainless steel 316L

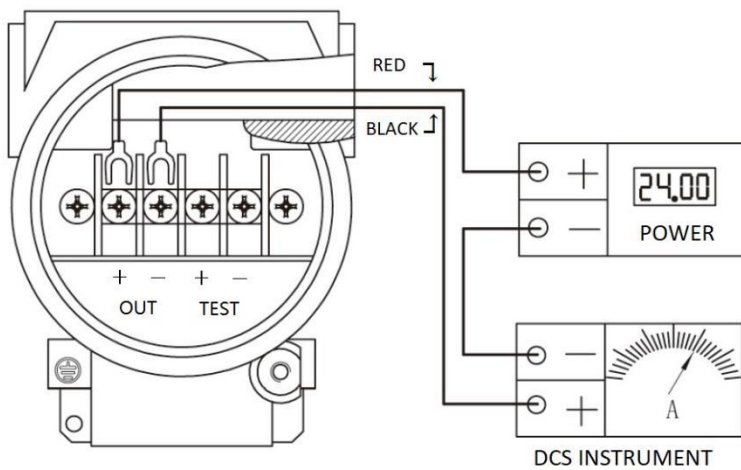
O-ring: fluoro rubber

### Structure Drawings

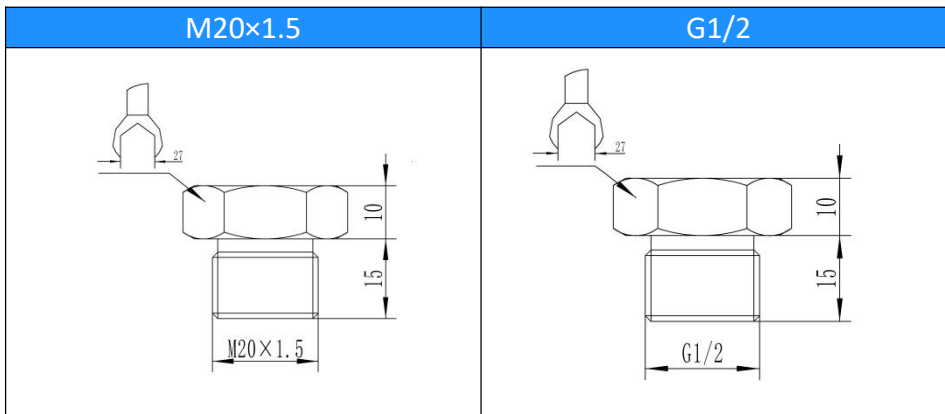


### Electrical Connection

Pin	Wire Color	Two Wire Current
OUT+	Red	Power+ (+V)
OUT-	Black	Power- (0V/+OUT)



**Pressure Port**



**Ordering Guide**

Item NO.	Type					
HPM289	High Temperature Protected Pressure Transmitter					
	<b>Pressure Range</b>	<b>Measuring Range</b>				
	(0~X)kPa	Fill out X directly				
		<b>Code</b>	<b>Output Signal</b>			
		B1	(4~20)mA			
		B2	(0~10)mA			
		B3	(0~10)V			
		B4	(0~5)V			
		B5	(1~5)V			
		B6	(0.5~4.5)V			
			<b>Code</b>	<b>Thread Spec</b>		
			P1	M20x1.5		
			P4	G1/2		
			<b>Code</b>	<b>Electrical Connection</b>		
			C9	Cable Gland		
			<b>Code</b>	<b>Structure&amp;Material</b>		
			M1	316L	316L	Stainless Steel
			M2	316L	316L	316L
			M3	Tantalum	Hastelloy C	316L
		M4	Titanium	Titanium	316L	
		<b>Code</b>	<b>Additional Functions</b>			
		G	Gauge Pressure (Default)			
		A	Absolute Pressure			
		S	Sealed Gauge Pressure			
		v	Fluororubber O-Ring (Default)			
		D1	LED Display			
		D2	LCD Display			
HPM289	(0~400)kPa	B1	P1	C9	M1	G v